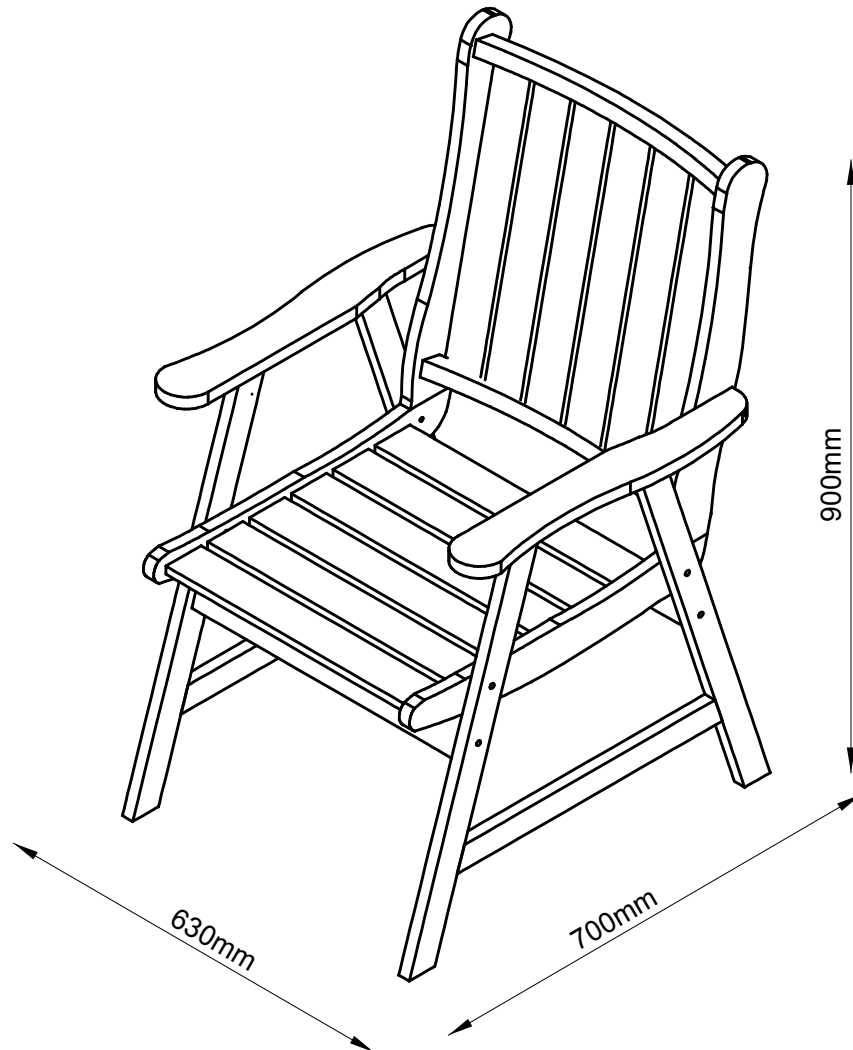




**ASSEMBLY INSTRUCTION
BUNBURY - OUTDOOR CHAIR
ITEM CODE - 62279**

Imported by Amart Furniture Pty Ltd, Qld, Brisbane Australia.
For any assistance with assembly or for missing parts please phone
Amart Furniture, Customer Service Freecall 1800 351 084.

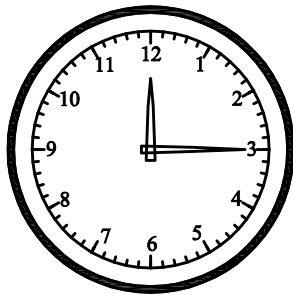


Imported by Amart Furniture Pty Ltd, Qld, Brisbane Australia.
For any assistance with assembly or for missing parts please phone
Amart Furniture, Customer Service Freecall 1800 351 084.

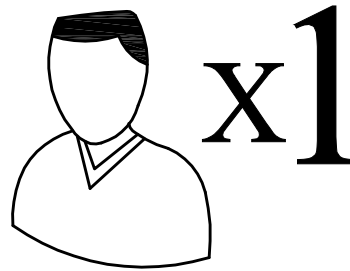
PRE-ASSEMBLY PREPARATION

BEFORE YOU START:

1. Choose a clean, level, spacious assembly area. Avoid hard surfaces that may damage the product.
2. Take care when lifting. Product should be assembled as near as possible to the point of use
3. Ensure that you have all required contents for complete assembly.
4. Always read the assembly instructions carefully before beginning assembly.
5. Keep all hardware parts and packaging out of reach of small children.
6. Do not over tighten the screws and bolts as this may damage the threads.

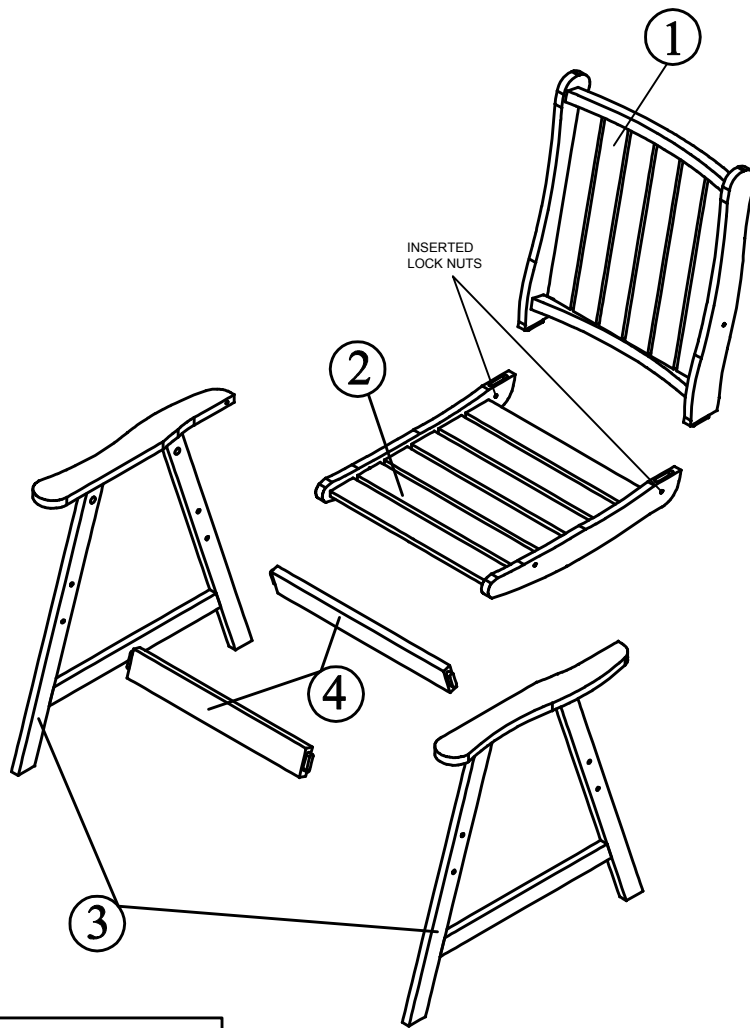


ALLOW 15 MINUTES








1 PEOPLE REQUIRED

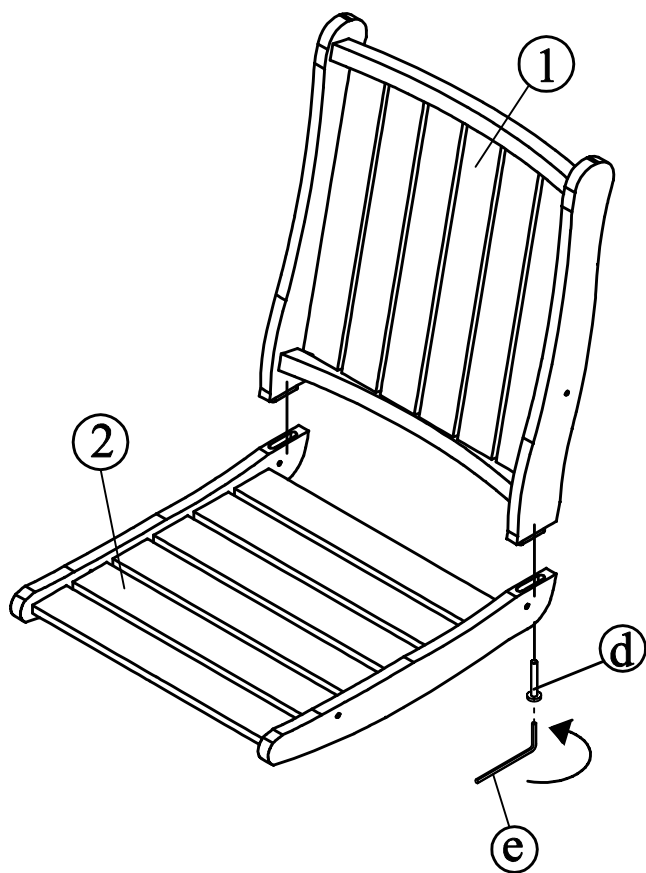
PARTS LIST



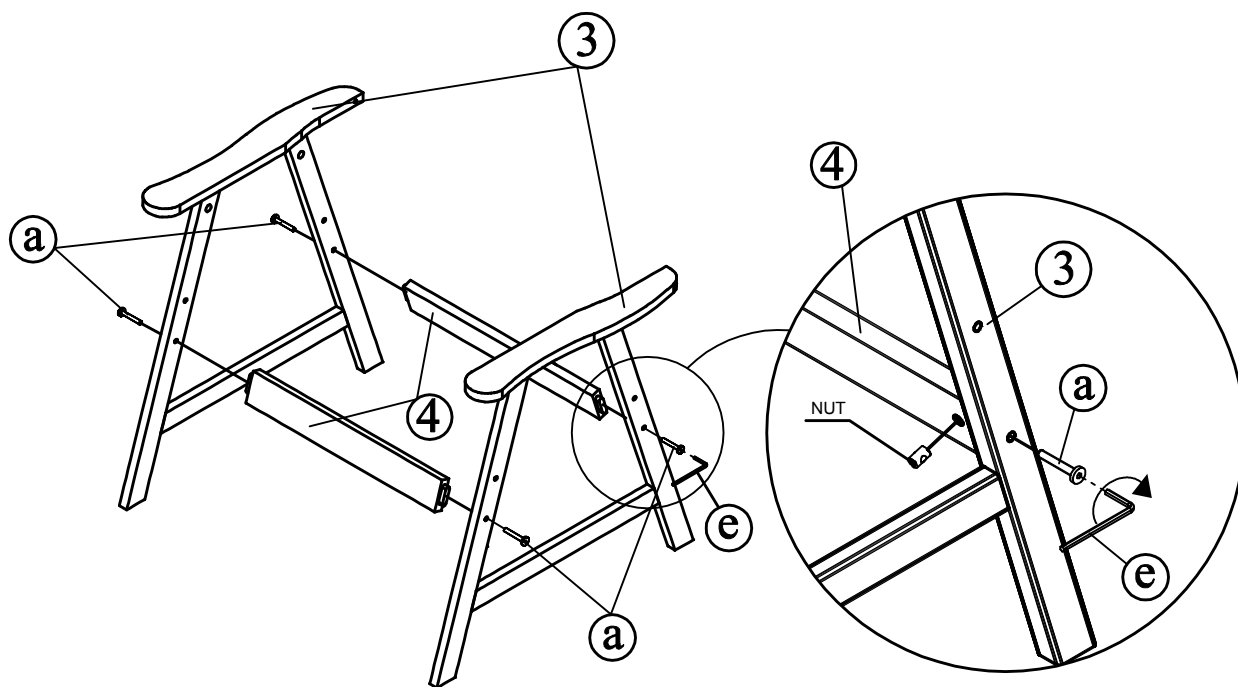
1	BACK
2	BASE
3	LEG FRAME
4	BRACE RAIL

<p>a. BOLT M6 X 60(mm) NUT</p>  <p>4pcs</p>	<p>b. BOLT M6 X 70(mm) CAP</p>  <p>2pcs</p>	<p>c. BOLT M8 X 45(mm)</p>  <p>4pcs</p>
<p>d. SCREW M6 X 80(mm)</p>  <p>2pcs</p>	<p>e. ALLEN KEY 4</p>  <p>2pcs</p>	

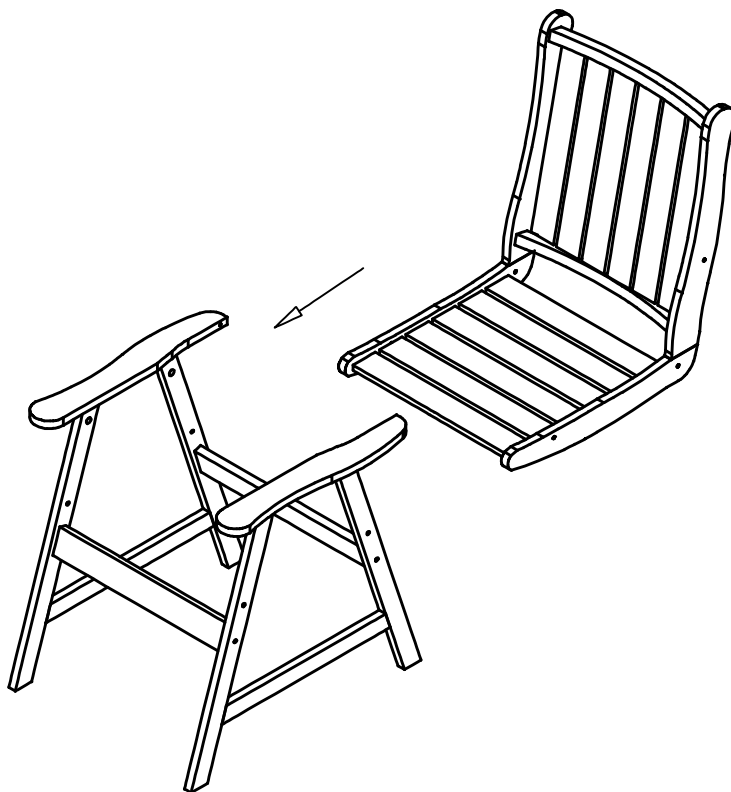
STEP 1 : Insert screw (d) from base (2) into back (1). Use allen key (e) to secure.



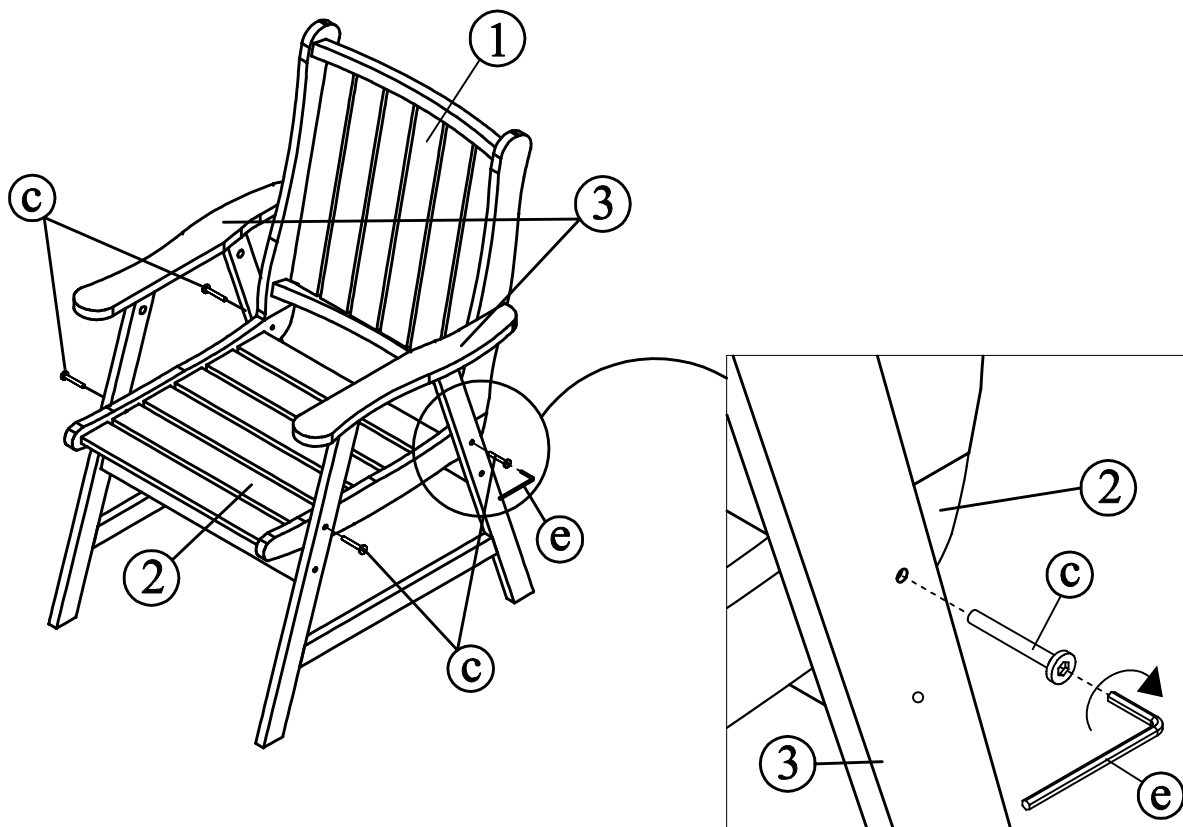
STEP 2 : Insert bolt (a) from leg frame (3) into brace rail (4). Use allen key (e) to secure.



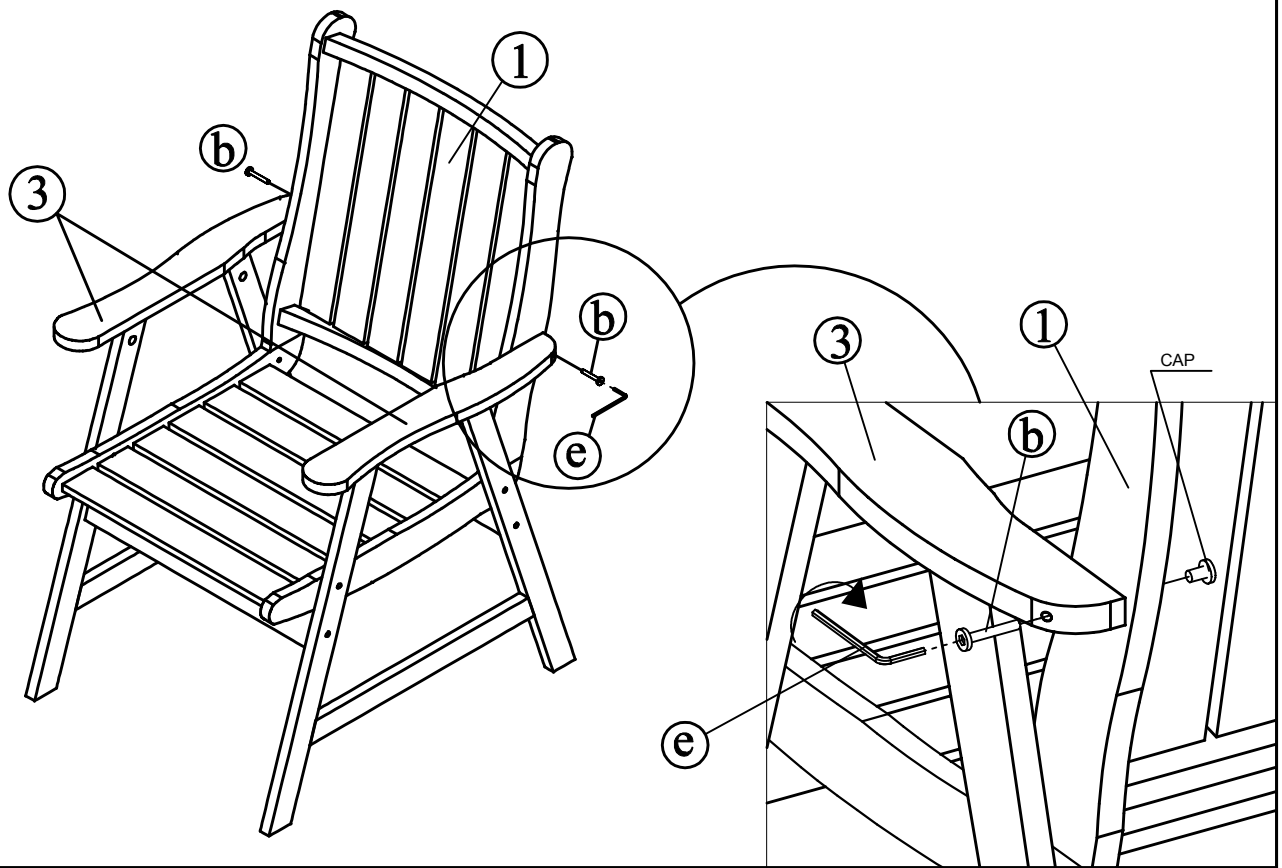
STEP 3 : Attach the frame in step 1 to the frame in step 2.



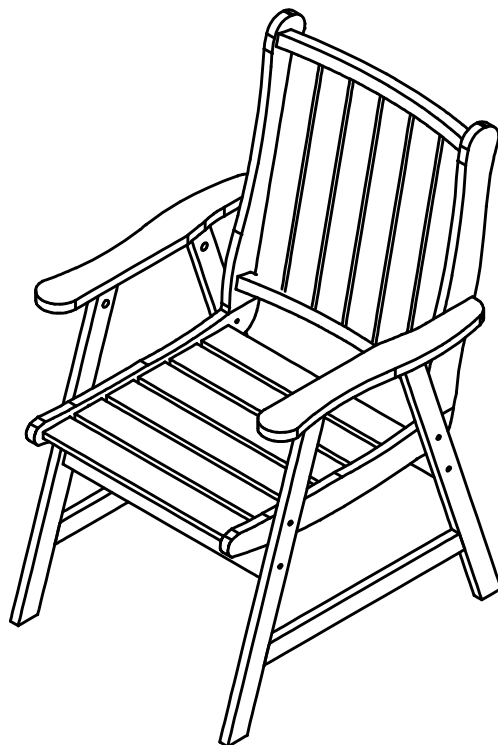
STEP 4 : Insert bolt (c) from leg frame (3) into base (2). Use allen key (e) to secure.



STEP 5 : Insert bolt (b) from leg frame (3) into back (1). Use allen key (e) to secure.



ASSEMBLY IS COMPLETE



IMPORTANT NOTE:

BEFORE FINALLY TIGHTENING THE BOLTS, PLACE THE ASSEMBLED CHAIR UPRIGHT ON A LEVEL SURFACE AND SIT CAREFULLY ON THE CHAIR TO ENSURE THE CHAIR LEGS ARE ALIGNED AND LEVEL. THEN TIGHTEN ALL BOLTS AND YOUR CHAIR IS READY FOR USE.

CARE AND MAINTENANCE

READ CAREFULLY: SURFACE PREPARATION.

STEP 1. After the product is assembled and before oil treatment, thoroughly wipe clean your furniture underneath and on top, remove all dirt and sawdust particles from all mortise joints and grooves using a brush and rag or wash with hose on grass area.

STEP 2. OILING:. Oil in the shade or under cover. We recommend the furniture to be completely covered and sealed underneath and on top with the a light coat of hardwood timber oil preservative, make sure the oil penetrates into all grooves and mortise joints.

STEP 3. IMPORTANT. After oiling wipe off excess oil, then allow the oil to dry in the shade away from direct sunlight until dry, then wipe off again with a clean rag removing any excess oil that may not have penetrated into the timber. Repeat wiping off excess oil if necessary.

STEP 4. REPEAT THE ABOVE PROCEDURE IN 48HRS. Sanding is not required between these initial coats. Your furniture is now protected however repeat applications of the hardwood timber oil may be required. Before re- oiling check your furniture for any residue build up, if this occurs a light sanding may be required. **Note:** The frequency of oiling will vary according to the climatic conditions in your area and direct exposure to the elements your furniture is subjected too

NOTE: If Eucalyptus furniture is neglected with prolonged unprotected exposure to the elements this will cause the timber to discolor to a silvery grey, cracking and hairline cracks may appear if in the event your setting does discolor to restore the timber, sanding and oiling will be required. We recommend the furniture be stored with undercover protection during wintertime and wet season.

NOTE: WET TIMBER MUST BE DRIED FOR 3-5 DAYS BEFORE OILING. DO NOT OIL THE FURNITURE LATE IN THE DAY WHEN DEW OR CONDENSATION IS LIKELY TO FORM OR WHEN RAIN IS THREATENING.

NOTE: ALL TIMBER FURNITURE GOES THROUGH A SETTLING IN PERIOD, FASTENERS MUST BE TIGHTENED REGULARLY. DO NOT LEAVE FASTENERS UNTIGHTENED THIS COULD CAUSE FURNITURE DAMAGE.

Eucalyptus- timber is kiln dried under strict guidelines. Upon purchasing your furniture small hairline cracks may appear, this is part of the drying process of this particular timber species, these cracks will not deter the durability of the furniture, up to 3% shrinkage may occur in this species of timber.

WARNING: Staining on Tuscan or light colored pavers may occur from sap leaching and dust particles if the timber is not cleaned properly and weathered correctly, hose down your furniture and clean thoroughly before placing your furniture on light colored pavers.

Storing or covering product with outdoor furniture covers when it's not in use. This will also extend your furniture's life.